

CP-SVBP1UBKN・CP-SVBP2UBKN・CP-SVBP4UBKN
 CP-SVBP1UN・CP-SVBP2UN・CP-SVBP4UN

This is a product of our company, and we thank you for your purchase. This product is an assembly type, so please assemble it according to the instructions below. In the packing case, the following parts are included.

Please use the following... plastic driver gloves (to prevent scratches when assembling) (Please wear them.)

Assemble parts

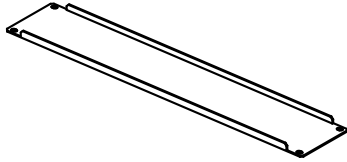
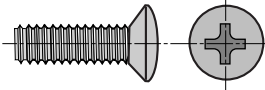


Plate x 1 pc



Serial number sticker

Use small parts



Screw (M5x16) x 4 pcs



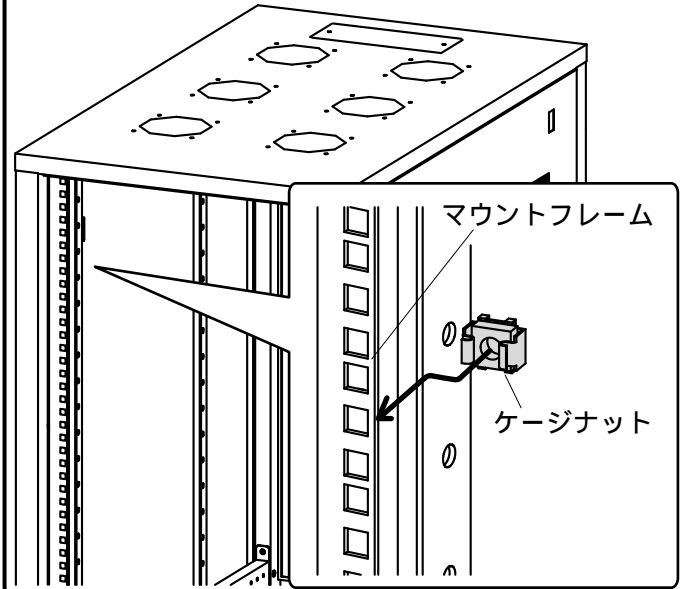
Cage nut x 4 pcs



Base x 4 pcs

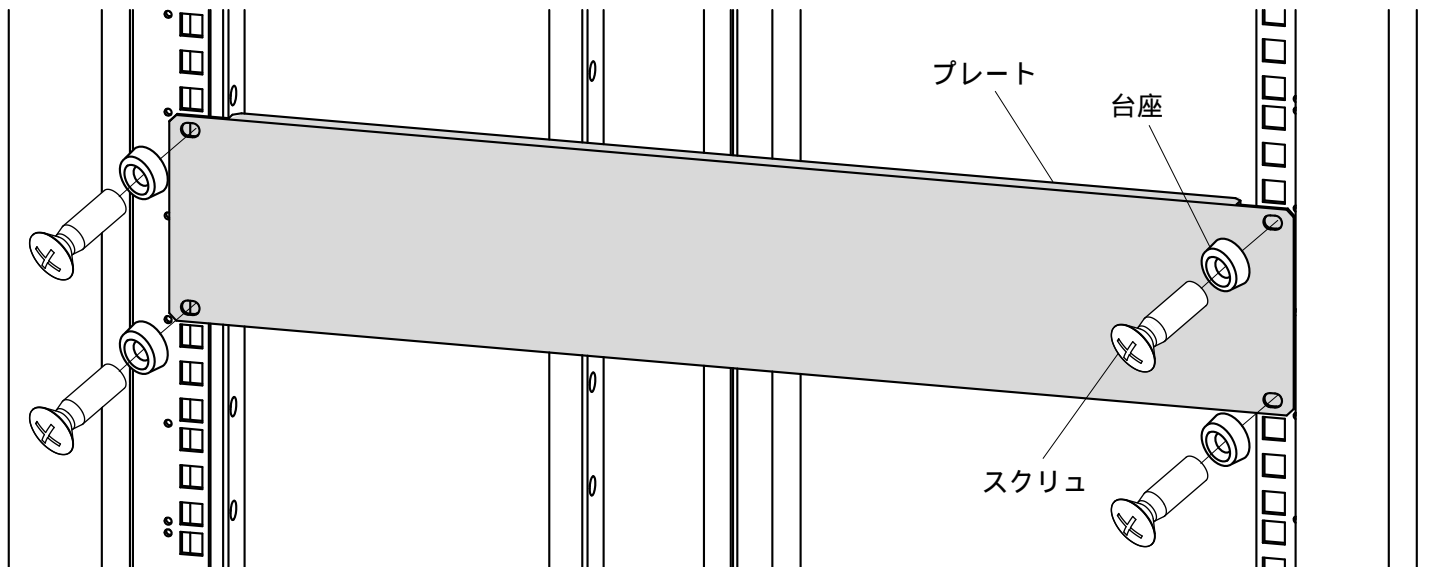
1

Mount the cage nut to the back of the corner hole of the mount frame.



2

Mount the plate to the cage nut using the screw and base.



SANWA SUPPLY Co., Ltd.

Product related inquiries | We pay careful attention to product quality management, but in the event of any discrepancy, please contact the retailer or contact us directly for inquiries. Please contact us as soon as possible.

Osaka Subcenter / Tel 700-0825 Osaka City, Nishi-ku, Tamachi 1-10-1
 Tel 086-223-3311 FAX 086-223-5123
 Tokyo Subcenter / Tel 140-8566 Chiyoda-ku, Nishi-Shinjuku, Nishi-Shinjuku 6-5-8
 Tel 03-5763-0011 FAX 03-5763-0033

Please provide the serial number and sticker number for product-related inquiries.